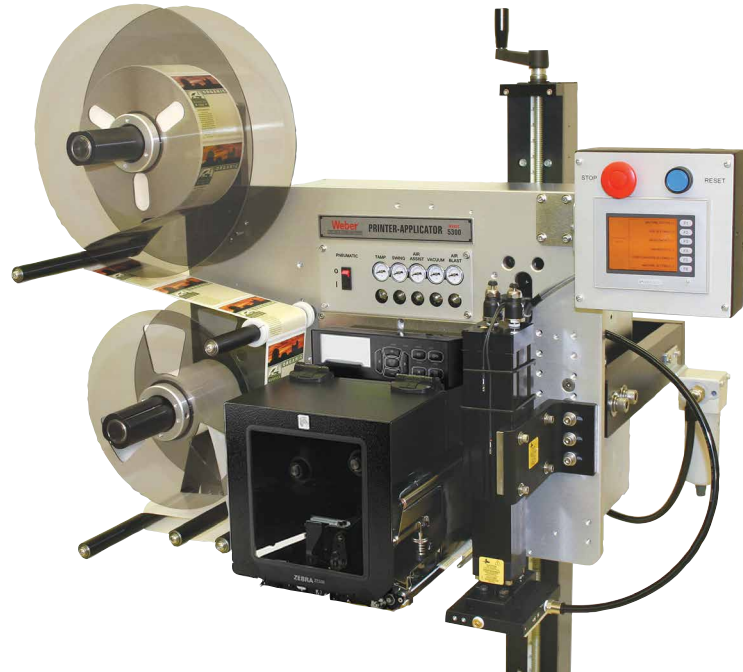


Model 5300

Overview

Label Printer-Applicator



Special Features

- Modular design provides eight different application configurations
- Monitor operation via a web browser
- One-to-one media consumption reduces downtime
- Numerous I/O's ease interfacing with external devices
- Available with RFID capability

Weber's Model 5300 system is redefining the meaning of versatility in pressure-sensitive label printing and application.

In addition to offering a broad selection of high-quality print engines that feature various print resolutions and label dispensing rates, the Model 5300 system is available with optional RFID print-encode engines.

Standard direct- and thermal-transfer print engines from manufacturers Zebra, SATO and Datamax produce text, bar codes and graphic images at 203, 300 or 600 dpi. The Zebra-based RFID models combine these printing capabilities with the encoding and verification of RFID inlays to meet EPC Gen 2 protocols.

The Model 5300 system's print engines output labels up to seven inches wide and up to twelve inches long with the standard configuration (longer label lengths available). To keep pace with high-volume, high-speed production lines, compatible print speeds vary from two to 16 ips.

Modular Design

The Model 5300 printer-applicator system's modular design provides one standard system, yet a choice of eight distinct methods of label application that are accurate to ± 0.03 inch:

- **Tamp-blow.** This is a very popular method of air-assisted label placement used with standard applications, and is particularly useful in the labeling of recessed areas. A printed label is fed onto a tamp pad and held by vacuum, a pneumatic cylinder extends to within .25 inch of the product, and the label is blown onto its surface.
- **Air-blow.** Another air-assisted process. The label is blown onto the product from a fixed distance without the aid of a pneumatic cylinder. This method can have higher throughput because you don't have a moving cylinder.
- **Direct tamp.** This method is similar to tamp-blow, but the flexible tamp pad makes direct contact with the product during application.
- **Swing-tamp.** Labels are applied to the front or back of a product using a 90-degree swing arm applicator and tamp-blow technology.
- **Twin-tamp.** Special rotary arm enables the application of two labels to the front and side of a product; or side and back; or one label can be placed on the front, side or back of an item using tamp-blow technology.
- **Corner-wrap.** One label is wrapped around the corner of a

case using an articulating, contact method of application.

- **Dual-label.** Prints and applies labels up to 6" x 6" to the front and side of moving pallets using an articulating swing arm.
- **Electric tamp-blow.** Electrically-operated cylinder extends to the product and the label is blown onto its surface. Ideal for very high-speed labeling.

In addition, an optional secondary label wipe-down station is available as a complement to any of the above application methods. Quick-change tamp pads also may be ordered to accommodate various label sizes.

The Model 5300 system's modular design ensures that the system can be reconfigured to address subsequent print-and-apply labeling requirements. This modularity can preclude the future acquisition of an additional printer-applicator.

Special Features & Options

The Model 5300 system includes a number of noteworthy features that add to the operational versatility of this printer-applicator:

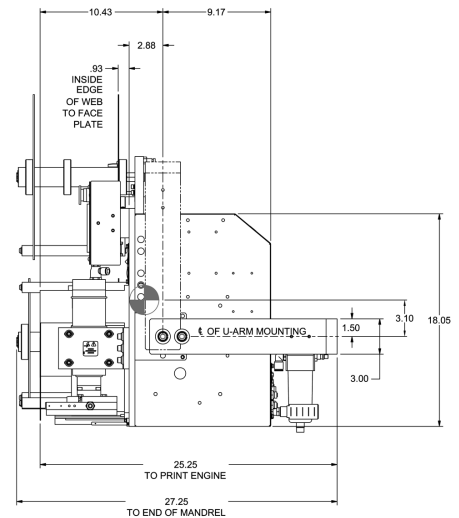
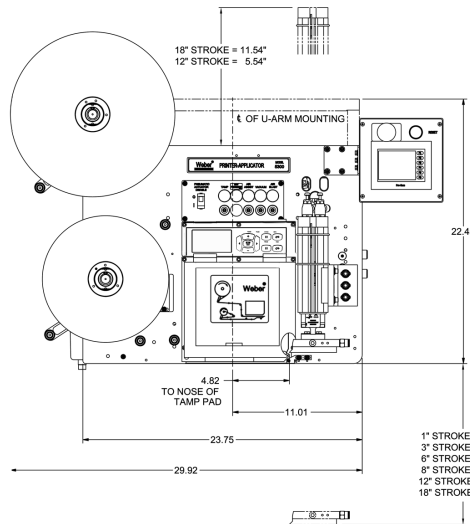
- **Browser-based monitoring.** The status of all operational functions and configurations can be monitored by logging on to a web page that is unique to each Model 5300 unit.
- **Numerous I/O's.** The system can be interfaced with many types of external devices.
- **One-to-one media consumption.** Special label unwind and rewind dimensions are matched to the system's ribbon supply to ensure they are consumed at the same rate, reducing downtime and eliminating partial changeovers.
- **Print job storage.** Multiple label printing formats can be stored in the system's memory, making it easier for an operator to select a job directly from the applicator instead of downloading a computer file.

The Model 5300 system boasts numerous additional features as well, including a microprocessor controller with downloadable firmware capability, various inputs/outputs, plus durable construction that will withstand harsh industrial environments.

There also are several optional enhancements that can increase the system's functionality. A product height sensor, for example, enables the printer-applicator to label items of varying heights delivered by the same conveyor. Other options include a 15-foot umbilical connection that enables the remote location of the unit's controller; an adjustable stand for optimum system orientation; label-on-pad sensor for added functionality; plus beacon light alerts to signal the status of label and ribbon supplies.

Model 5300

General Specifications



Dimensions

29.9"L x 27.25"W x 28.25"H
(75.9cm x 69.2cm x 71.28cm)

Weight

174 lbs. (78.8kg)

Electrical

115 VAC, 60 cycle, 5 amps; overload protection built in; 220 VAC, 50 cycle optional

Environmental

41-104°F (5-40°C); humidity 15-85% RH non-condensing

Communication Interface

RS-232-C; Centronics compatible

Air Requirements

3 cfm at 90 psi

Product Sensing

Photoelectric

Processor

Rabbit 3000 Microprocessor

Printing Methods

Direct-thermal and thermal-transfer

Print Resolution

203, 300 or 600 dpi, depending on print engine selected

Print Width

- Zebra ZE500-4: 4.1" (104mm)
- Zebra ZE500-6: 6.6" (167.6mm)
- Sato 8460SE: 6.0" (152.4mm)
- Sato 8485SE: 5.0" (127mm)
- Sato 8490SE: 4.4" (112mm)
- Sato S84 Series: 4.09" (104mm)
- Datamax A-4212: 4.094" (104mm)
- Datamax A-4310: 4.161" (105.7mm)
- Datamax A-4606: 4.157" (105.6mm)
- Datamax A-6212: 6.614" (168mm)
- Datamax A-6310: 6.401" (162.6mm)

Print Speed & Resolution

- Zebra ZE500-4: Up to 12.0" per second (305mm) @ 203 dpi and 300 dpi
- Zebra ZE500-6: Up to 12.0" per second (305mm) @ 203 dpi
- Zebra ZE500-6: Up to 10.0" per second (305mm) @ 300 dpi
- SATO 8460SE: Up to 8.0" per second (203mm) @ 203 dpi
- SATO 8485SE: Up to 12.0" per second (305mm) @ 203 dpi
- SATO 8490SE: Up to 8.0" per second (203mm) @ 300 dpi
- SATO S84 Series: Up to 16", 14" or 6" per second (406mm, 355.5mm, 152.4mm) @ 203, 300 or 600 dpi
- Datamax A-4212: Up to 12.0" (305mm) per second @ 203 dpi
- Datamax A-4310: Up to 10.0" (254mm) per second @ 300 dpi
- Datamax A-4606: Up to 6.0" (152mm) per second @ 600 dpi
- Datamax A-6212: Up to 12.0" (305mm) per second @ 203 dpi
- Datamax A-6310: Up to 10.0" (254mm) per second @ 300 dpi

Label Width Range

- Zebra ZE500-4: Max 4.5" (114mm); Min 0.625" (16mm)
- Zebra ZE500-6: Max 7.1" (180.34mm); Min 3.0" (76.2mm)
- Sato 8460S: Max 6.5" (165.1mm); Min 1.0" (25.4mm)
- Sato 8485SE: Max 5.25" (133.3mm); Min 1.0" (25.4mm)
- Sato 8490SE: Max 5.25" (133.3mm); Min 1.0" (25.4mm)
- Sato S84 Series: Max 5.1" (129.5mm); Min 0.5" (12.7mm)
- Datamax A-4212: Max 4.65" (118mm); Min 1.0" (25mm)
- Datamax A-4310: Max 4.65" (118mm); Min 1.0" (25mm)
- Datamax A-4606: Max 4.65" (118mm); Min 1.0" (25mm)
- Datamax A-6212: Max 6.7" (170mm); Min 2.0" (50mm)
- Datamax A-6310: Max 6.7" (170mm); Min 2.0" (50mm)

Label Roll Size

Maximum diameter 13.75" O.D. (350mm)

Labeling Speed

Contingent upon print engine and label size/content

Label Placement

Accurate to $\pm 0.03"$ (.76mm) when labels are produced to specifications and product handling is controlled and consistent

Labels

Die-cut, waste removed with 0.125" (3mm) minimum separation between labels in running direction and 0.125" (3mm) maximum web over label width; direct or thermal-transfer

Labeling Software

Weber Legitronic[®] software

Print Characters & Bar Codes

Text: Selection of fonts, including OCR-A & B representation

Bar Codes: UPC-A/E, EAN-8/13, Code 39, I 2 of 5, Code 128, Codabar, MSI, 2 of 5, Code 93, UPC Bookland, Matrix 2 of 5, Postnet, UCC/EAN 128, PDF-417, Maxicode, Data Matrix

(Text and bar codes can be rotated 360 degrees; horizontal and vertical character expansion)

Optional Features

- Adjustable Stand
- Quick-change tamp pad
- RFID upgradeable print engine
- Label-on-pad sensor
- Product-presence sensor
- Beacon alert lights