

## Technical data Markoprint X1JET MX

System X1JET MX	Print	Basic	Advanced	Pro
maximum speed at 200 dpi	30 m per minute	30 m per minute	60 m per minute	90 m per minute
maximum resolution				
- horizontal	50 to 600 dpi	50 to 600 dpi	50 to 600 dpi	50 to 600 dpi
- vertical	192 dpi	192 dpi	192 dpi	192 dpi
Print/character height	3 to 50/100 mm	3 to 50/100 mm	3 to 50/100 mm	3 to 50/100 mm
maximum text length	1000 mm	1000 mm	1000 mm	2000 mm
No. of text memories	9 texts	9 texts	9 texts	9 texts
Text field	✓	✓	✓	✓
Counter	-	-	✓	✓
Date field/time	-	✓	✓	✓
Date offset	-	-	✓	✓
Action field	-	-	✓	✓
Logos	✓	✓	✓	✓
Barcodes	-	-	✓	✓
2D-Codes	-	-	-	✓
Data transfer by				
USB Stick	✓	✓	✓	✓
Ethernet	✓	✓	✓	✓
EIA-232	✓	✓	✓	✓
external sensor	✓	✓	✓	✓
Encoder	✓	✓	✓	✓
I/O	2I / 4O	2I / 4O	2I / 4O	2I / 4O
Ink status display	LED	LED	LED	LED
Nozzle cleaning pulse	✓	✓	✓	✓
Printer- and True Type-fonts	✓	✓	✓	✓

Printing example



Technical changes reserved.

Weber Marking Systems GmbH

Zentrale: Maarweg 33 · D-53619 Rheinbreitbach  
 Telefon: +49(0)2224/7708-0 · Fax: +49(0)2224/7708-20  
 info@weber-marking.com · www.weber-marking.com



**Weber**<sup>®</sup>  
 LABELING & CODING SOLUTIONS

**Weber**<sup>®</sup>  
 LABELING & CODING SOLUTIONS

Inkjet coder

# Markoprint X1JET MX

Print  
 Basic  
 Advanced  
 Pro



## Piezo Inkjet Coder Markoprint X1JET MX

The Markoprint X1JET MX is an independently operating printer, especially suitable for the coding of large printing images. The Trident Piezo Inkjet technology codes on flat, absorbant surfaces, quickly, accurately and reliably.

This compact & well-priced system is designed for different ranges of applications i.E. food & beverage, chemical and building material industry.

- Well-priced technology for the printing of layouts directly on carton material

### For each application the right system

The print heads are available in two different versions: For printings at maximum 50 mm height and für printings at maximum 100 mm height.

The Markoprint X1Jet MX is available in 3 different variations: Compact, Vario and Top.

The Compact version has a vertically fixed print head.

The print head of the Vario version can be turned up to 90°C to the left, and allows therefore also a coding on rising conveyor belts.

The Top version codes from above onto the packaging or the product.

- Printing heights up to 50 mm or rather 100 mm
- Simple integration into packaging systems and conveyors for printing from side or top

### Universal and flexible use

Markoprint X1JET MX uses True Type fonts for printing. All conventional 1- and 2-dimensional codes\* can be printed. The controller is fully integrated into the print module.

- The robust and highly compact design ensures maximum application availability
- High immunity against electrical discharge

### Easy to use

No training necessary: Printing with the Markoprint X1JET MX is simple, due to 3-logic intuitive operation with LED status light.

Data transmission is initialized with USB stick/ interface.

A big advantage is the integrated maintenance station including the power supply.

This makes the installation and maintenance very easy.

- User friendly due to 3-logic
- Select and print directly 9 layouts/labels

### X1JET MX Varianten

X1JET MX is available in the following versions:

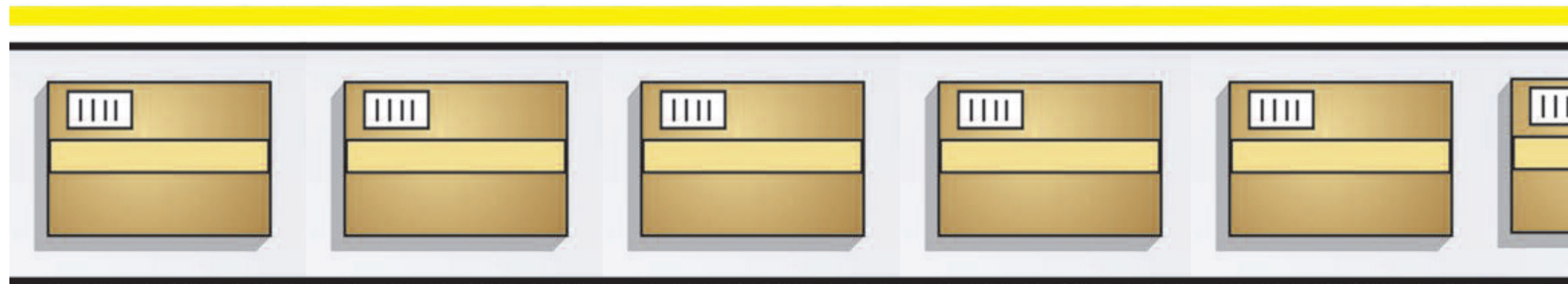
- Markoprint X1JET MX 100  
Printing height up to 100 mm  
In the variations „Compact“, „Top“ or „Vario“
- Markoprint X1JET MX 50  
Printing height up to 50 mm  
In the variations „Compact“, „Top“ or „Vario“

### Control

The X1JET MX system allows a data transmission via USB stick or Ethernet/EIA-232 interface. Print layouts are created with iDesign software.

- Data transfer using USB stick
- Data transfer connecting Ethernet and EIA-232

\*depending on version



### Markoprint X1JET MX

The compact “all-in-one” Piezo printer combines printhead, ink system, rinsing and cleaning station, control electronics and mains unit in one enclosure.



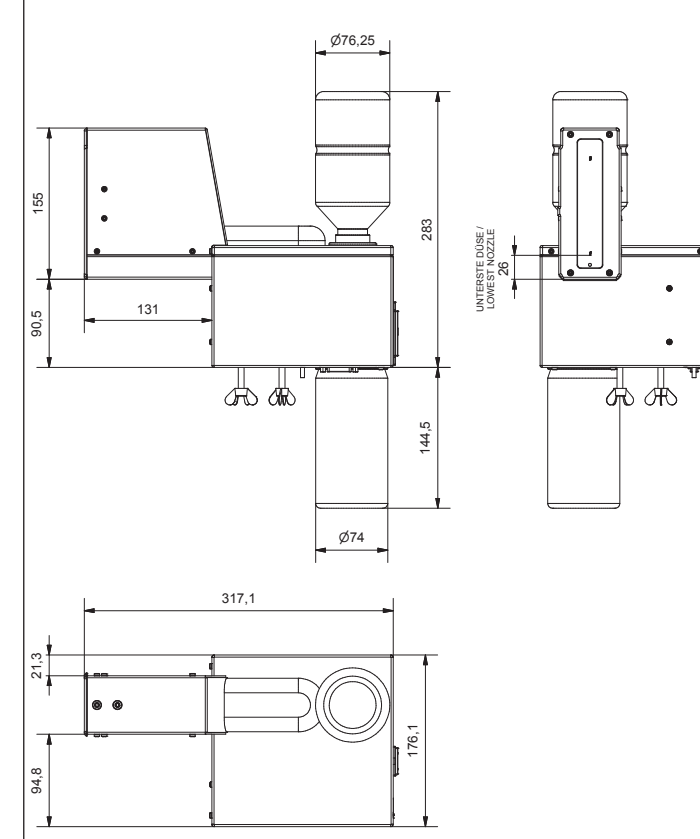
#### Markoprint X1JET MX 100 Compact

All the controls are housed in this compact system.

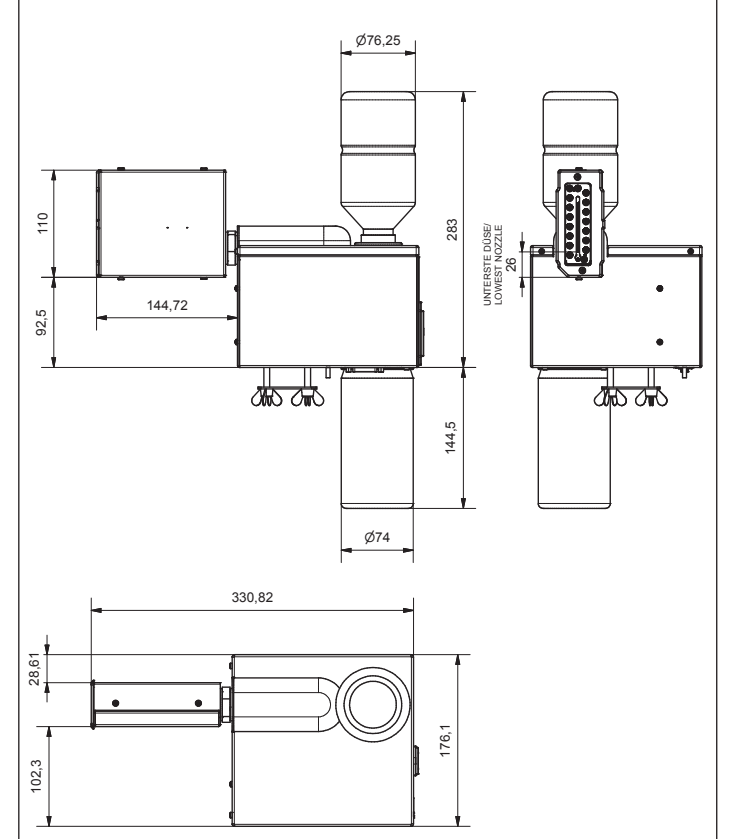


### Dimension drawing technical data

#### Markoprint X1JET MX 100 Compact



#### Markoprint X1JET MX 50 Vario



#### Markoprint X1JET MX 100 Top

