



DATASHEET

Label printer and dispenser

Legi-Air 4050 S

## Legi-Air 4050 S

**The Legi-Air 4050 S is a label printing and dispensing system to easily and economically solve your labeling tasks. The system boasts proven technology allowing the Legi-Air 4050 S to operate reliably also under rough conditions.**

### Universal applications

Thanks to its robust and compact design, the Legi-Air 4050 S is always ready for the most diverse of labeling tasks. The modular design of the Legi-Air 4050 S offers companies the flexibility of responding to changing labeling demands at any time.

### Flexible and high performance

Various applicators and dispensing strokes are available. The Quick-Change system for dispensing heads allows quick and easy change-over to other label formats. This significantly reduces the time required for change-over. A sensor to measure the distance to the product to be labeled is available for labeling of products with varying dimensions. If required, the Legitronic<sup>®</sup> labeling software, or Bluhmware, may be used to control and interlink the dispensing systems. This improves throughput times and increases product safety. Depending on the print module, labels are printed with 200 to 600 dpi resolution and affixed to the product.

### Trouble-free operation

A display controller featuring a large, multi-language text display allows simple operation. The operator is shown specific machine status information in plain text. Stored label- and product-specific parameters may be called up fast and consistently. The display controller is also removable. This renders data input user-friendly in the case of printing dispenser installed in hard to access positions on the shop floor. The label-on-head sensor assures reliable labeling. The sensor checks whether the tamp pad actually carries a label.

### Cost saving

System parameters are communicated via USB. System and maintenance data guarantee quick and simple diagnostics.

### Legi-Air 4050 S system advantages at a glance

- Versatile application for labeling of cartons, sacking and pallets on one side
- Labeling solution for fixed and variable product sizes
- High availability with label supply roll carrying up to 450 running meters
- Suited for 3-shift operation
- Robust system
- Excellent service life

## Technical data

### Printing technology

Thermo transfer or thermo direct

### Print resolution

8 dots/mm (203 dpi)  
12 dots/mm (300 dpi)  
24 dots/mm (600 dpi)

### Printing speed

up to 400 mm per second

### Dispensing head sizes

Tamp-Blow standard from 12.5 x 7 to 20 000 mm<sup>2</sup>; depending on label quality, label lengths should be reduced

### Label gap

minimum 3 mm

### Label roll

300 mm outer diameter with up to 450 running meter, roll core 76 mm (3"), outside winding  
Optional: inside winding, larger roll core diameter and 350 mm label roll outside diameter

### Data interfaces

all conventional interfaces  
(detail in the print module brochure)

### Control interfaces

floating outputs (relay), opto-coupler inputs, M12 connections for photo cells and alarm lamps

### Service intervals

as per interval display

### Dispensing output

Up to 80 labels per minute; dispensing output depends on label size, text change and dispensing stroke

### Position accuracy of the dispensed labels

Standard: up to ± 0.8 mm with stationary product (depends on distance of application, applicator type and label size)  
optional: ± 0.5 mm

### Printing dispenser activation

Reflex sensor, light barrier, inductive or capacitive sensor, micro-switch, floating contacts (PLC)

### Alarm system

Standard: Error message in text display, floating contacts (PLC),  
Optional: 3-color alarm lamp

### Compressed air consumption

0.3 to 3 l per dispensing cycle, depending on label size, type of applicator and setting

### Compressed air connection

6 bar, compressed air must be clean, dry and oil-free (DIN ISO 8573-1)

### Weight

from 35 kg (depending on type)

### Electrical connection

90 to 263 VAC, 50/60 Hz, 5 Amp

### Ambient conditions

Temperature: 10°C to 35°C,  
15% to 95% relative humidity,  
non-condensing

### Certification

CE mark

### Options

- RFID labeling
- Bad Tag discarding
- Quick-change label format head spring-loaded dispensing head
- 3-color alarm lamp
- Dust and spray water protected enclosure (also with heating) for application in particularly tough environmental conditions
- IPC in the protective enclosure
- Legitronic® label printing software

Version 11/2012  
Technical changes reserved.

- Bluhmware for system control and interlinking
- Label presence check for: scanner (1-D/2-D), Vision systems, sensors, RFID gates
- Product sensor
- variable dispensing stroke sensing
- Tripod in different versions (fixed, spindle adjustable, mobile)

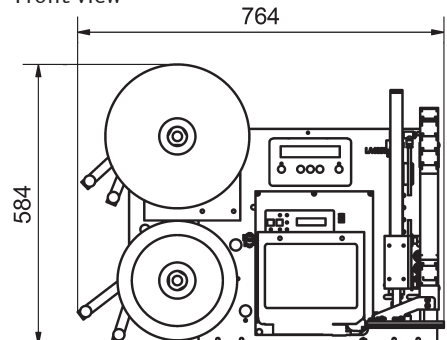
### Dispensing applicators

- 90° rotating dispensing head
- 180° rotating dispensing head
- 90° and 180° swivel applicator
- Short stroke high-speed linear applicators
- Suction belt applicator

All technical data depend on the printing modules used  
(see separate Print module brochure).

### Dimensions

Front view



Top view

